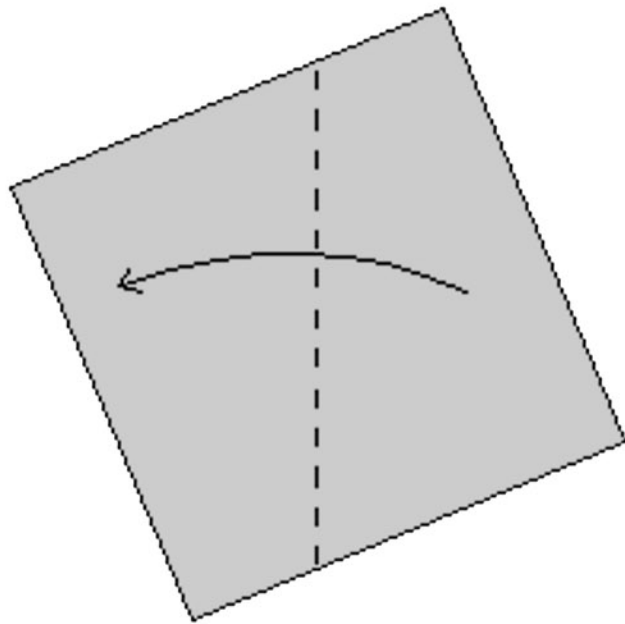


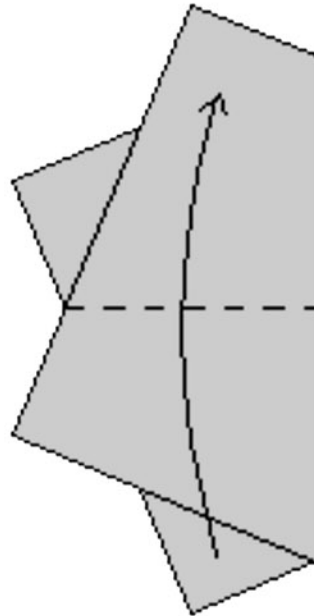
Butterfly A

Level: Beginner

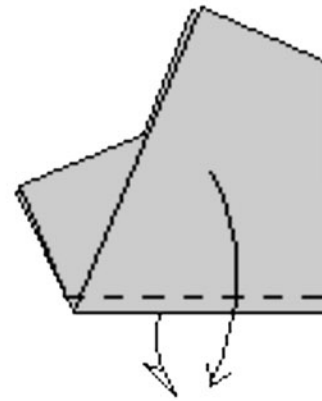
design by A. Yoshizawa



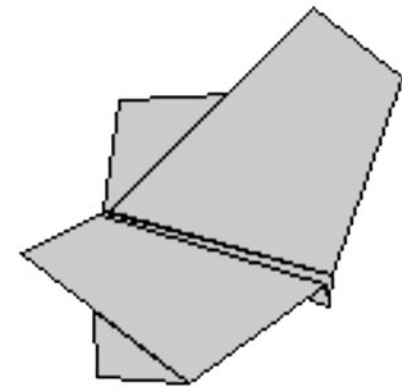
Fold paper in half
at an angle.



Fold in half.



Fold each side down.

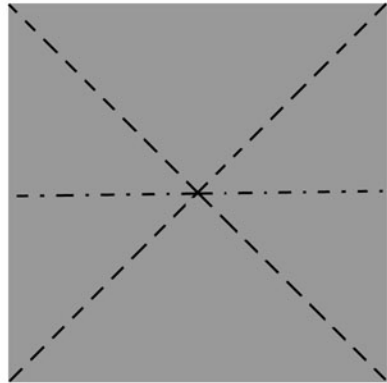


Done.

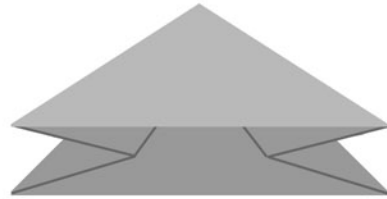
Butterfly B

Level: Intermediate

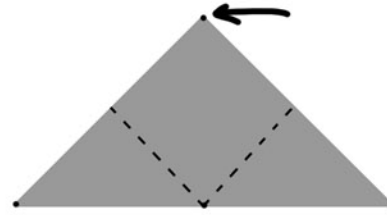
traditional design



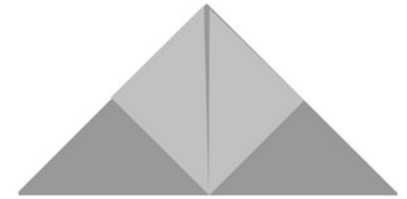
Valley fold paper along both diagonals. Mountain fold paper horizontally. Unfold.



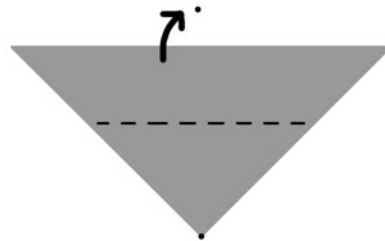
Collapse all folds at the same time.



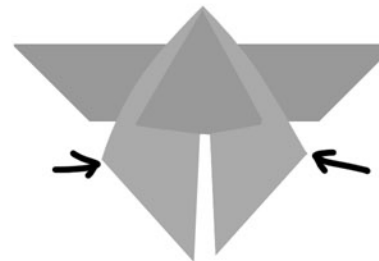
Waterbomb base. Fold points of top layer to tip of triangle.



Rotate 180 degrees and turn over.



Valley fold top layers slightly more than halfway.



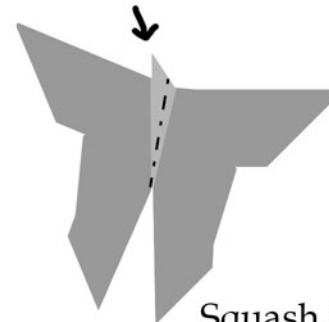
Squash corners flat.



Valley fold in half.



Fold each side down.



Squash flat.



Done.

Butterfly C

Level: Advanced

design by Michael LaFosse

